

RH TEEN

CALLUM LOUNGE OTTOMAN BASE




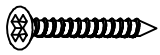

IMPORTANT SAFETY INSTRUCTIONS

1. Move furniture with care and precaution when handling, which may cause injury or damage.
2. Never drag furniture. Always lift it when moving.
3. Periodically check all connections to ensure there are no loose parts.

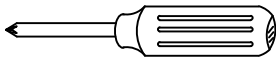
PARTS INCLUDED:

- A (2) Front & Back Section
- B (2) Side Section
- C (1) Slat Roll

HARDWARE LIST:

| NO. | ITEM | DESCRIPTION | QUANTITY |
|-----|--|-----------------------|----------|
| 1 |  | Bolts 1/4" x1-1/2" | 8pcs |
| 2 |  | Spring Washer 1/4" | 8pcs |
| 3 |  | Flat Washer 1/4" | 8pcs |
| 4 |  | Screw 8x30mm | 4pcs |
| 5 |  | Allen Key 4mm | 1pc |

TOOLS NEEDED

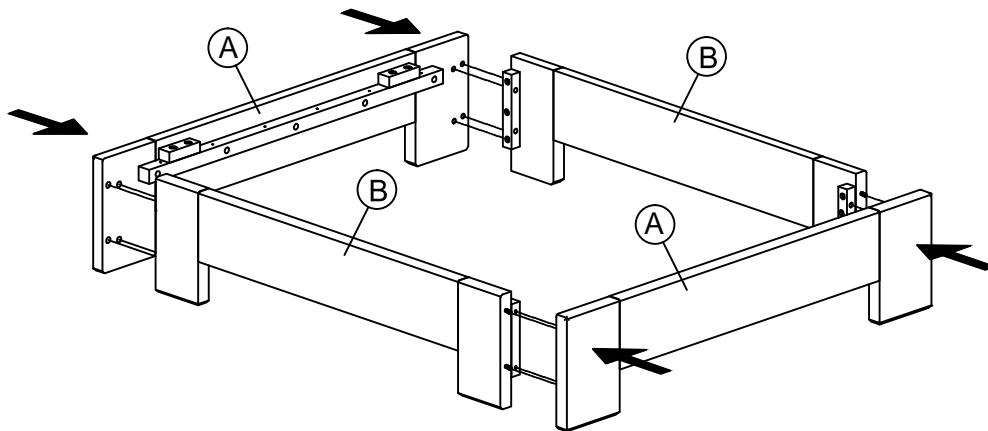


Phillips Head Screwdriver
(Not included)

ASSEMBLY INSTRUCTIONS:

STEP 1:

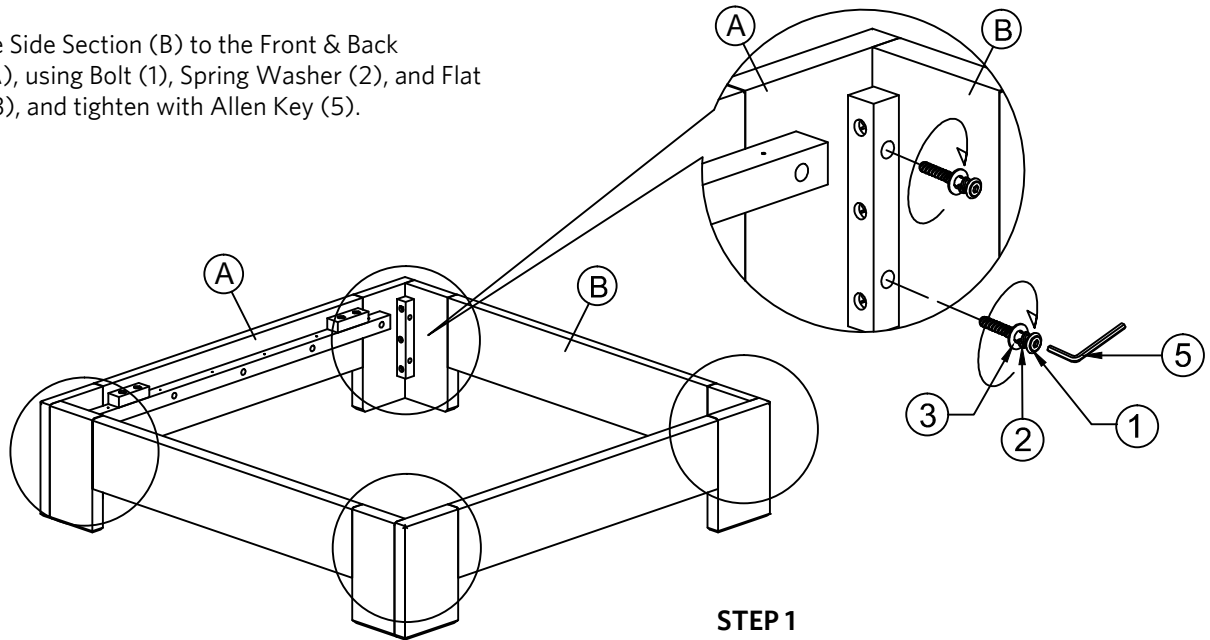
Insert the Side Sections (B) into the Front & Back Sections (A).



CALLUM LOUNGE OTTOMAN BASE

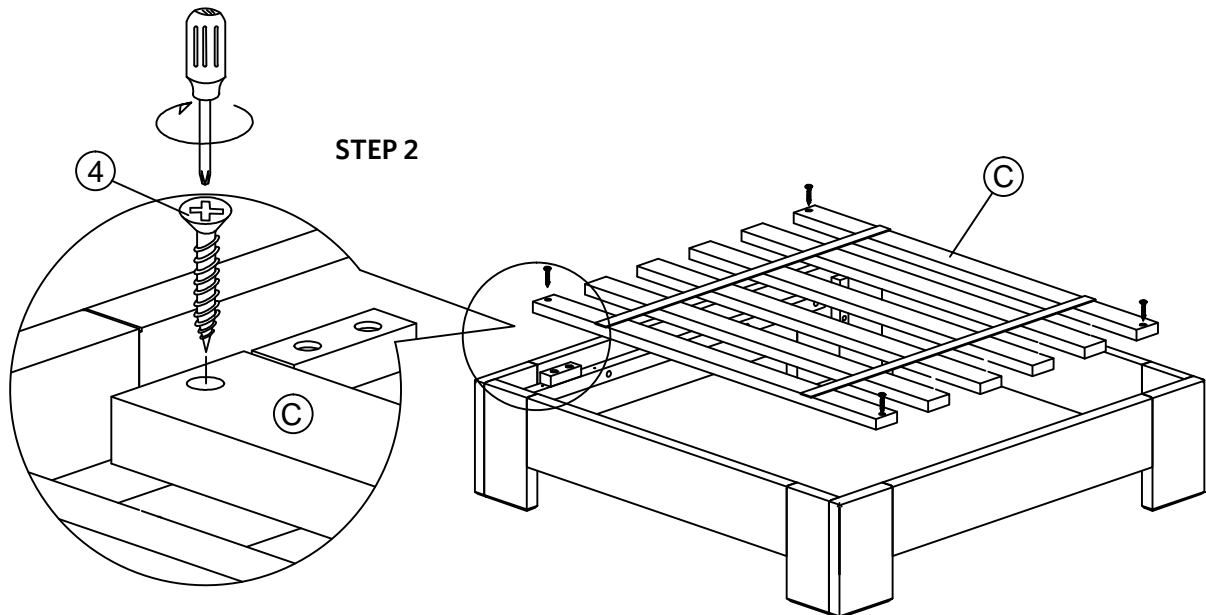
STEP 2:

Attach the Side Section (B) to the Front & Back Section (A), using Bolt (1), Spring Washer (2), and Flat Washer (3), and tighten with Allen Key (5).



STEP 2:

Lay the Slat Roll (C) in between the Front & Back Section (D), using Screws (4) to tighten slats to the side section with a screwdriver.



CARE INSTRUCTIONS

- Dust often using a clean, soft, dry lint-free cloth.
- Blot spills immediately, and wipe with a clean, damp cloth.
- We do not recommend the use of chemical cleansers, abrasives, or furniture polish on our lacquered finish.

Thank you for your purchase