

RH TEEN

CALLUM LOUNGE ARMLESS CHAIR BASE

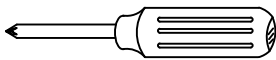
IMPORTANT SAFETY INSTRUCTIONS

1. Move furniture with care and precaution when handling, which may cause injury or damage.
2. Never drag furniture. Always lift it when moving.
3. Periodically check all connections to ensure there are no loose parts.

PARTS INCLUDED:




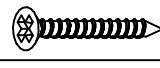

- A (1) Back Section
- B (1) Front Section
- C (1) Left Side Section
- D (1) Right Side Section
- E (1) Slat Roll

TOOLS NEEDED



Phillips Head Screwdriver
(Not included)

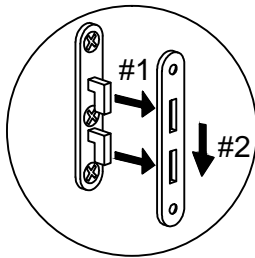
HARDWARE LIST:

NO.	ITEM	DESCRIPTION	QUANTITY
1		Bolt 1/4" x1-1/2"	8pcs
2		Spring Washer 1/4"	8pcs
3		Flat Washer 1/4"	8pcs
4		Screw 8x30mm	4pcs
5		Allen Key 4mm	1pc

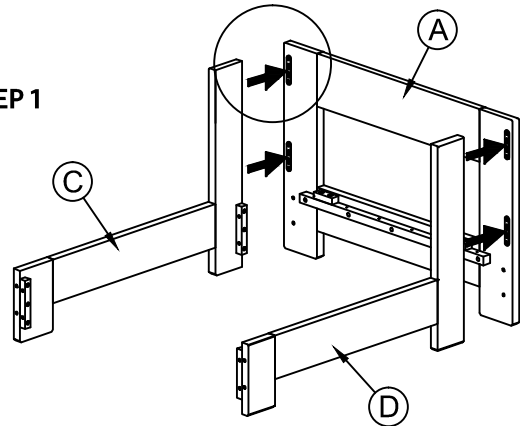
ASSEMBLY INSTRUCTIONS:

STEP 1:

Attach the Left Side Section (C) and Right Side Section (D) to the Back Section (A), by inserting the pre-fixed hooks on the side Sections into the corresponding slots on the Back Section (A). Push down firmly on the top of the Left Side Section (C) and Right Side Section (D), until click into place.



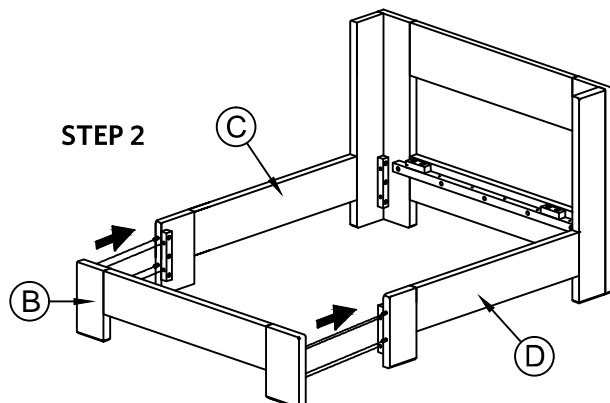
STEP 1



STEP 2

STEP 2:

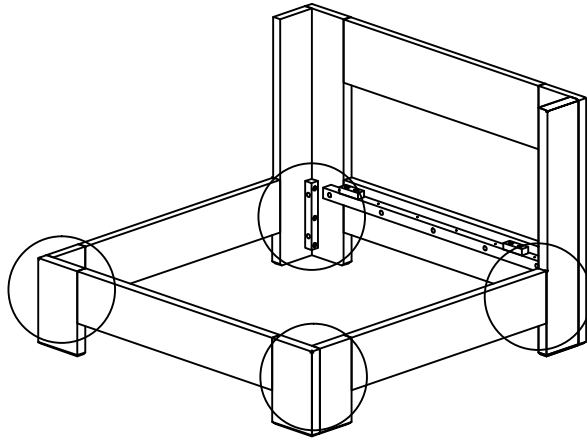
Attach the Front Section (B) to the Left Side Section (C) and Right Side Section (D).



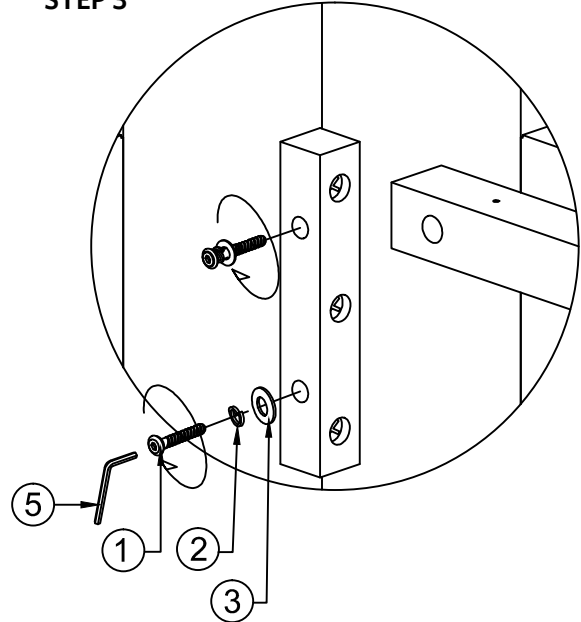
CALLUM LOUNGE SINGLE CHAIR BASE

STEP 3:

Insert the Bolt (1), Spring Washer (2), and Flat Washer (3), and tighten with Allen Key (5).

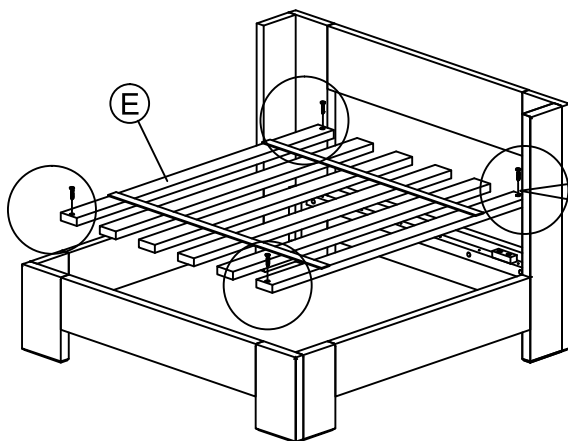


STEP 3

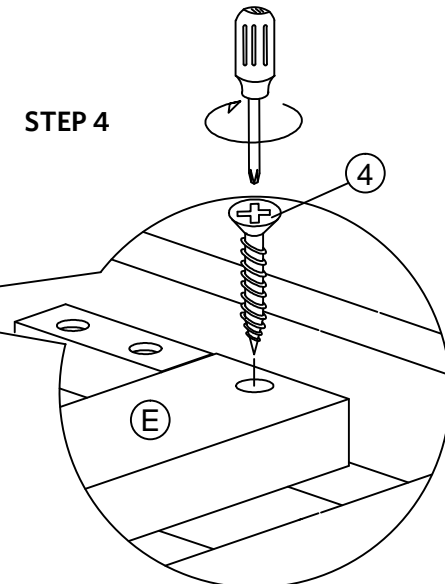


STEP 4:

Lay the Slat Roll (E) in between the Back Section (A) and Front Section (B), using Screws (4) to tighten slats to the section with a screwdriver.



STEP 4



CARE INSTRUCTIONS

- Dust often using a clean, soft, dry lint-free cloth.
- Blot spills immediately, and wipe with a clean, damp cloth.
- We do not recommend the use of chemical cleansers, abrasives, or furniture polish on our lacquered finish.

Thank you for your purchase